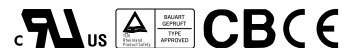


■ Features :

- Universal AC input / Full range
- Protections: Short circuit / Overload / Over voltage
- Cooling by free air convection
- 100% full load burn-in test
- Fixed switching frequency at 65KHz
- 2 years warranty

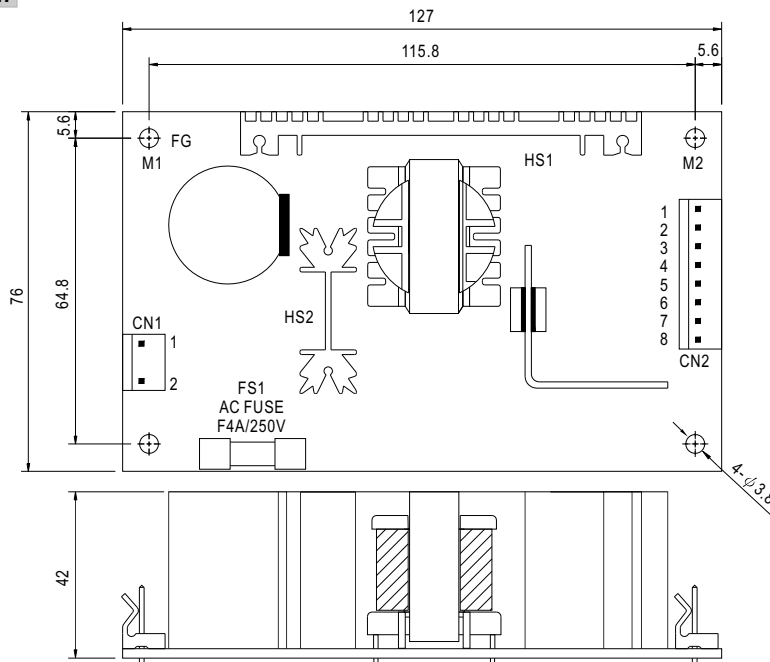


SPECIFICATION

| MODEL                 |   | PT-6503   |              |          |
|-----------------------|---|---|--------------|----------|
| OUTPUT                | OUTPUT NUMBER   | CH1   | CH2          | CH3      |
|                       | DC VOLTAGE  | 3.3V  | 5V           | 12V      |
|                       | RATED CURRENT   | 6A  | 6A           | 1A       |
|                       | CURRENT RANGE   | 0 ~ 7A  | 0.2 ~ 10A    | 0 ~ 1.2A |
|                       | RATED POWER   | Total power max. 61.8W(CH1+CH2 max. 54W)  |              |          |
|                       | RIPPLE & NOISE (max.) Note.2  | 50mVp-p   | 50mVp-p      | 100mVp-p |
|                       | VOLTAGE ADJ. RANGE  | CH1: 3 ~ 3.6V   |              |          |
|                       | VOLTAGE TOLERANCE Note.3  | ±3.0%   | +4,-2%       | ±8.0%    |
|                       | LINE REGULATION   | ±1.0%   | ±1.0%        | ±2.0%    |
|                       | LOAD REGULATION   | ±3.0%   | ±3.0%        | ±8.0%    |
| SETUP, RISE TIME      | 800ms, 50ms at full load  |   |              |          |
| HOLD UP TIME (Typ.)   | 60ms at full load   |   |              |          |
| INPUT                 | VOLTAGE RANGE   | 90 ~ 264VAC   | 127 ~ 370VDC |          |
|                       | FREQUENCY RANGE   | 47 ~ 63Hz   |              |          |
|                       | EFFICIENCY (Typ.)   | 72%   |              |          |
|                       | AC CURRENT (Typ.)   | 1.8A/115VAC   | 0.9A/230VAC  |          |
|                       | INRUSH CURRENT (Typ.)   | COLD START 20A/115V   | 40A/230V     |          |
|                       | LEAKAGE CURRENT   | <1mA / 240VAC   |              |          |
| PROTECTION            | OVERLOAD  | 120 ~ 160% rated output power<br>Protection type : Hiccup mode, recovers automatically after fault condition is removed |              |          |
|                       | OVER VOLTAGE  | 5.75 ~ 6.75V on +5V<br>Protection type : Hiccup mode, recovers automatically after fault condition is removed           |              |          |
| ENVIRONMENT           | WORKING TEMP.   | -10 ~ +60°C (Refer to "Derating Curve")   |              |          |
|                       | WORKING HUMIDITY  | 20 ~ 90% RH non-condensing  |              |          |
|                       | STORAGE TEMP., HUMIDITY   | -20 ~ +85°C, 10 ~ 95% RH  |              |          |
|                       | TEMP. COEFFICIENT   | ±0.03%/°C (0 ~ 50°C)  |              |          |
|                       | VIBRATION   | 10 ~ 500Hz, 2G 10min./1cycle, period for 60min. each along X, Y, Z axes   |              |          |
| SAFETY & EMC (Note 4) | SAFETY STANDARDS  | UL60950-1, TUV EN60950-1 approved   |              |          |
|                       | WITHSTAND VOLTAGE   | I/P-O/P:3KVAC I/P-FG:1.5KVAC O/P-FG:0.5KVAC 1min.   |              |          |
|                       | ISOLATION RESISTANCE  | I/P-O/P, I/P-FG, O/P-FG:100M Ohms / 500VDC / 25°C / 70% RH  |              |          |
|                       | EMC EMISSION  | Compliance to EN55022 (CISPR22) Class B, EN61000-3-2,-3   |              |          |
|                       | EMC IMMUNITY  | Compliance to EN61000-4-2,3,4,5,6,11, light industry level, criteria A  |              |          |
| OTHERS                | MTBF  | 222Khrs min. MIL-HDBK-217F (25°C)   |              |          |
|                       | DIMENSION   | 127*76*42mm (L*W*H)   |              |          |
|                       | PACKING   | 0.28Kg; 54pcs/16.2Kg/1.35CUFT   |              |          |
| NOTE                  | <p>1. All parameters NOT specially mentioned are measured at 230VAC input, rated load and 25°C of ambient temperature.</p> <p>2. Ripple &amp; noise are measured at 20MHz of bandwidth by using a 12" twisted pair-wire terminated with a 0.1uf &amp; 47uf parallel capacitor.</p> <p>3. Tolerance : includes set up tolerance, line regulation and load regulation.</p> <p>4. The power supply is considered a component which will be installed into a final equipment. The final equipment must be re-confirmed that it still meets EMC directives. For guidance on how to perform these EMC tests, please refer to "EMI testing of component power supplies."<br/>(as available on <a href="http://www.meanwell.com">http://www.meanwell.com</a>)</p> <p>5. Mounting holes M1 and M2 should be grounded for EMI purposes.</p> <p>6. Heat Sink HS1,HS2 can not be shorted.</p> |   |              |          |

### Mechanical Specification

Unit:mm



AC Input Connector (CN1) : Molex 5277-02 or equivalent

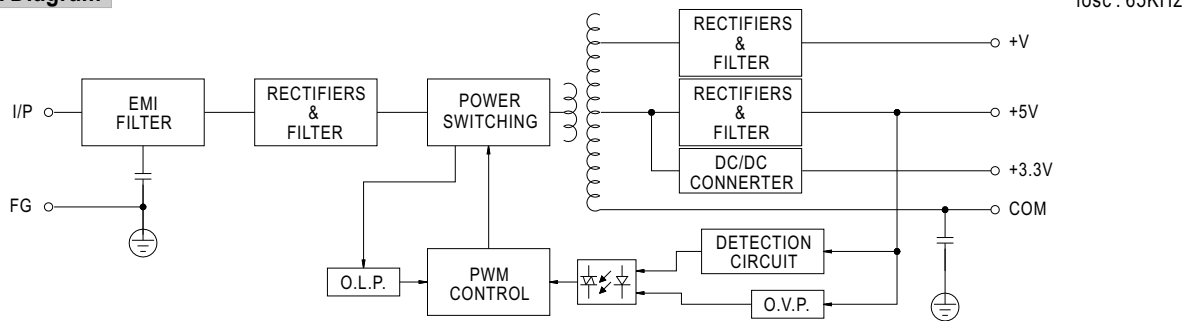
| Pin No. | Assignment | Mating Housing           | Terminal                 |
|---------|------------|--------------------------|--------------------------|
| 1       | AC/N       | Molex 5195 or equivalent | Molex 5194 or equivalent |
| 2       | AC/L       | Molex 5195 or equivalent | Molex 5194 or equivalent |

DC Output Connector (CN2) : Molex 5273-08 or equivalent

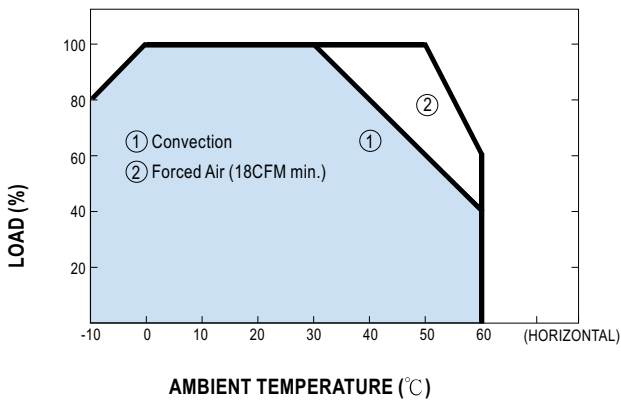
| Pin No. | Assignment | Mating Housing           | Terminal                 |
|---------|------------|--------------------------|--------------------------|
| 1,2     | +5V        | Molex 5195 or equivalent | Molex 5194 or equivalent |
| 3,4,5   | COM        |                          |                          |
| 6       | +V         |                          |                          |
| 7,8     | +3.3V      |                          |                          |

⚠ HS1,HS2 can not be shorted

### Block Diagram



### Derating Curve



### Static Characteristics

